

**REPAIR PARTS MANUAL**  
**MODEL NO. BM155H107RB (BM155H107RBA)**  
**Lawn Tractor**

---

***BESTGREEN***

# HOW TO USE THIS MANUAL

This manual is designed to provide the customer with a means to identify the parts on his/her tractor when ordering repair parts. The illustrations may or may not represent the actual assemblies; therefore, it is not recommended to use this manual as a guide to assemble or disassemble the tractor. Some hardware and parts are drawn larger in order to more readily identify them.


Each tractor has its own model number.

The model number for your tractor can be found on the fender under the seat.

When ordering parts, always give the following information:

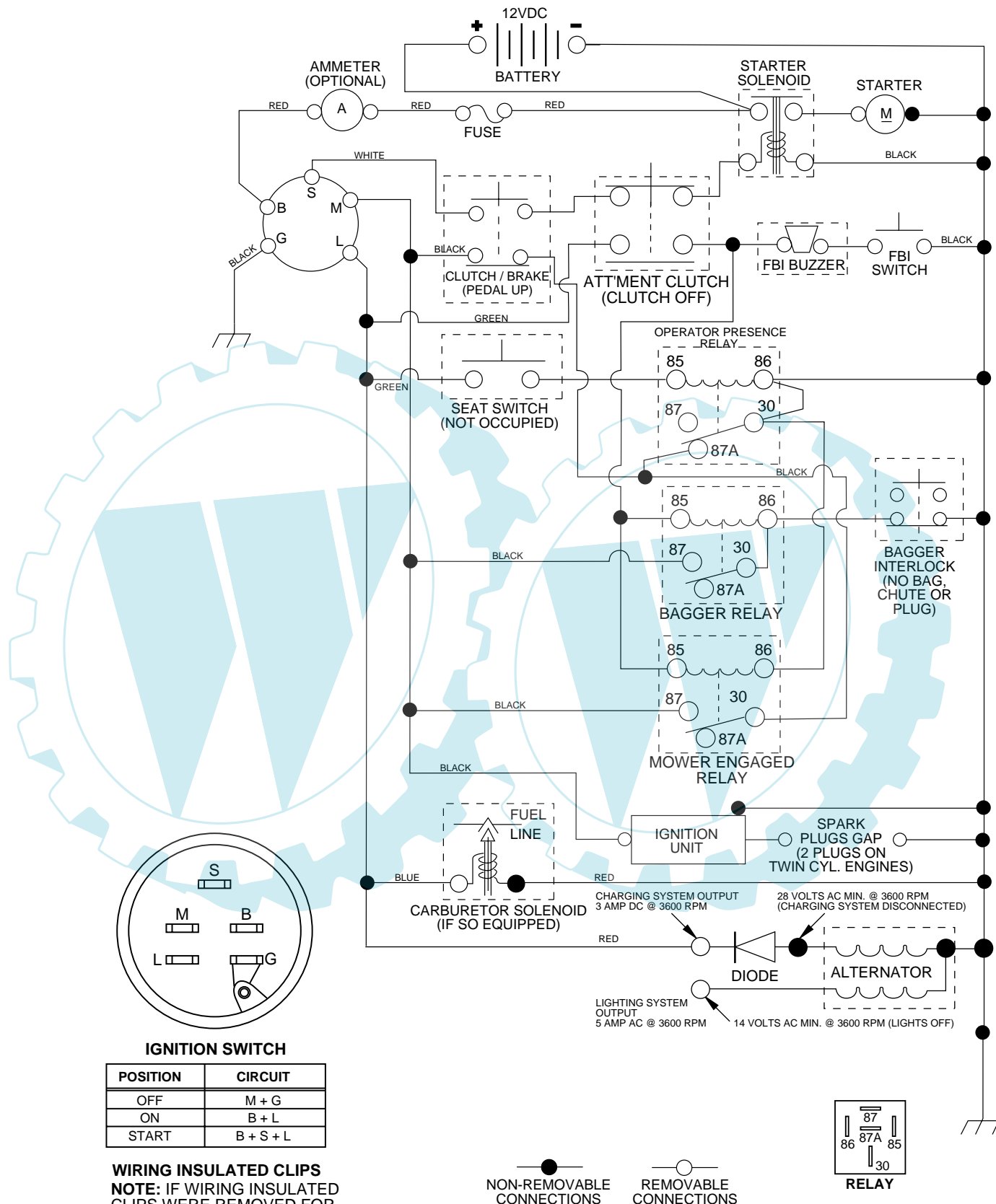
- Product - "Tractor"
- Model Number - BM155H107RB (BM155H107RBA)
- Part Number
- Part Description

## TABLE OF CONTENTS



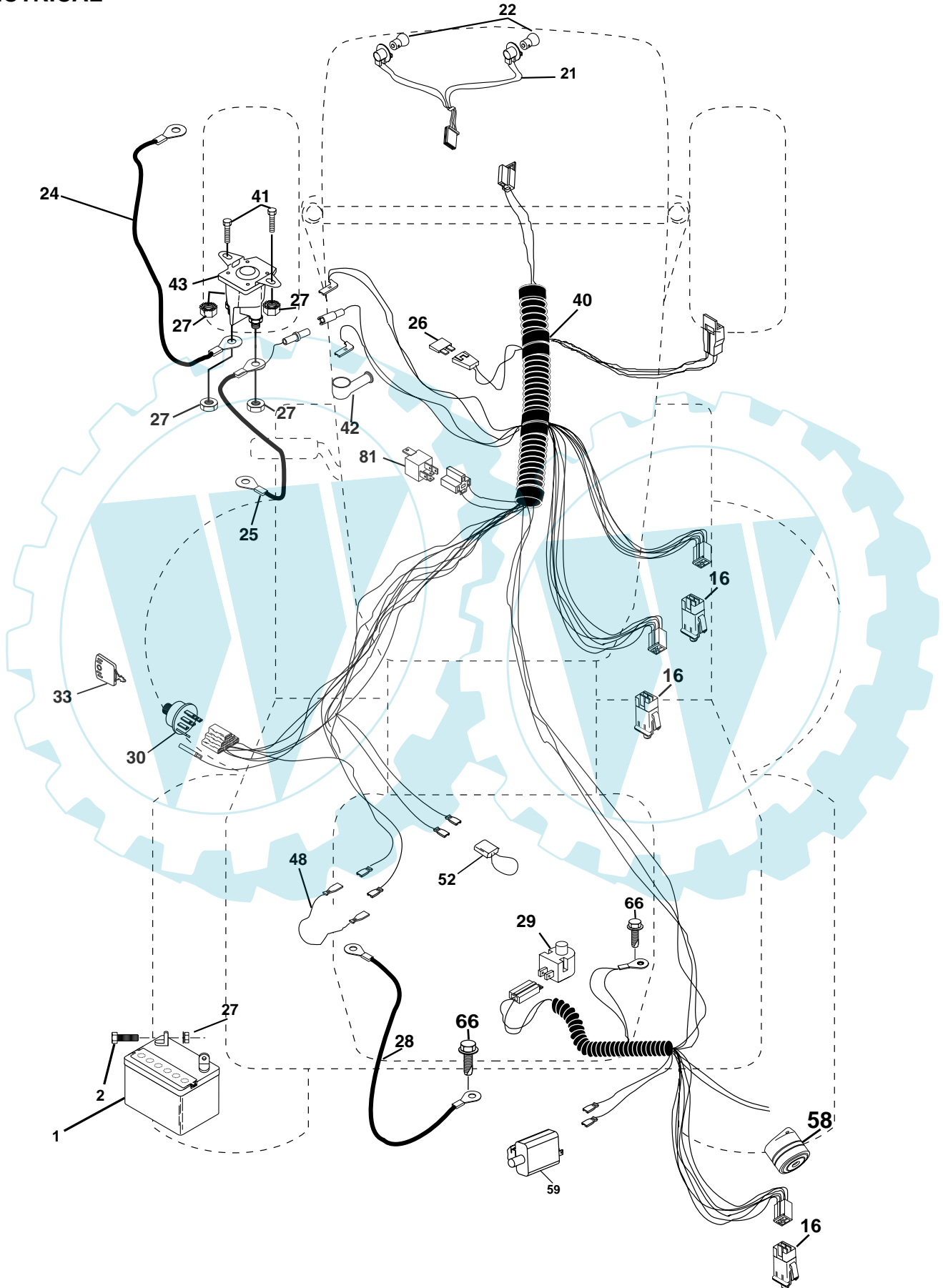
|                  |       |
|------------------|-------|
| SCHEMATIC .....  | 3     |
| ELECTRICAL.....  | 4-5   |
| CHASSIS.....     | 6-7   |
| DRIVE.....       | 8-9   |
| STEERING .....   | 10-11 |
| SEAT .....       | 12    |
| DECALS.....      | 13    |
| ENGINE.....      | 14    |
| MOWER LIFT.....  | 15    |
| MOWER DECK ..... | 16-17 |
| BAGGER .....     | 18-19 |

TRACTOR-MODEL NO. BM155H107RB (BM155H107RBA), PRODUCT NUMBER 964 77 44-01  
SCHEMATIC



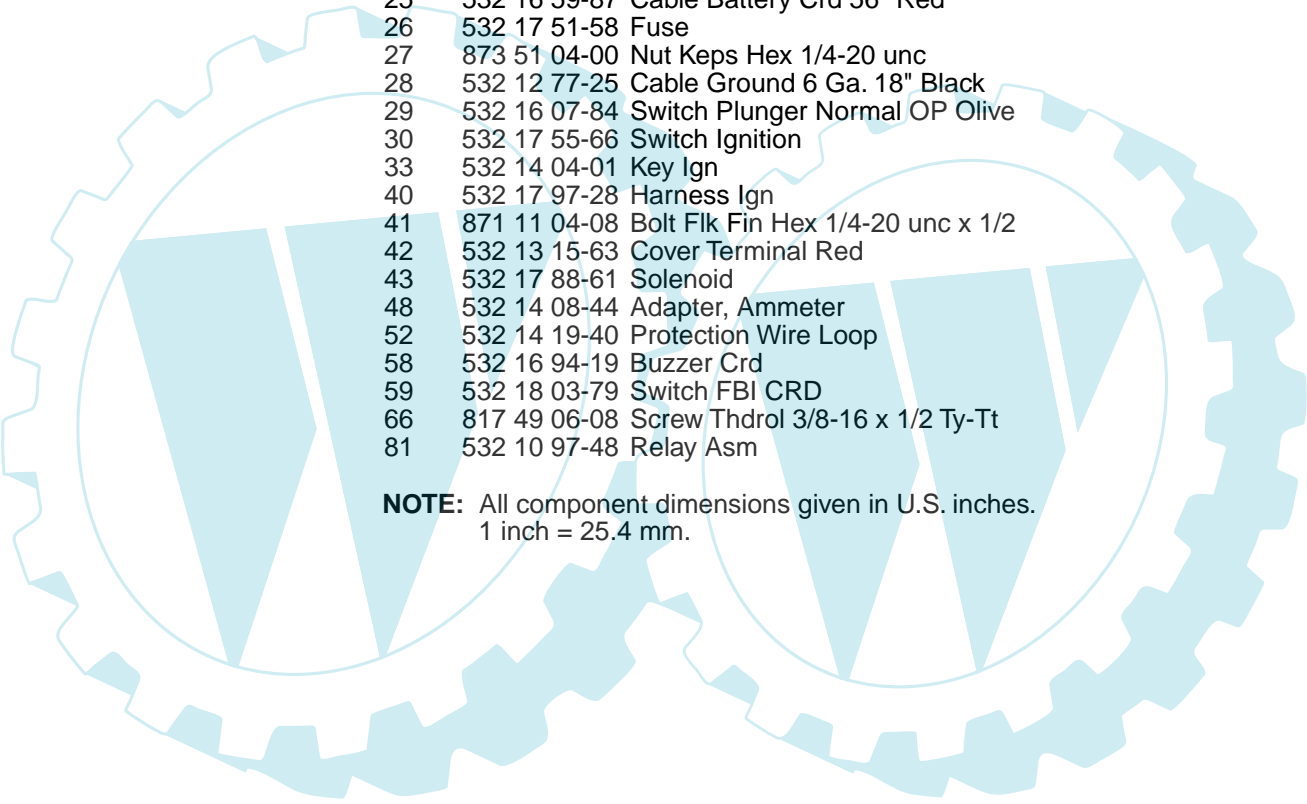
# REPAIR PARTS

TRACTOR-MODEL NO. BM155H107RB (BM155H107RBA), PRODUCT NUMBER 964 77 44-01  
ELECTRICAL



## REPAIR PARTS

TRACTOR-MODEL NO. BM155H107RB (BM155H107RBA), PRODUCT NUMBER 964 77 44-01  
ELECTRICAL

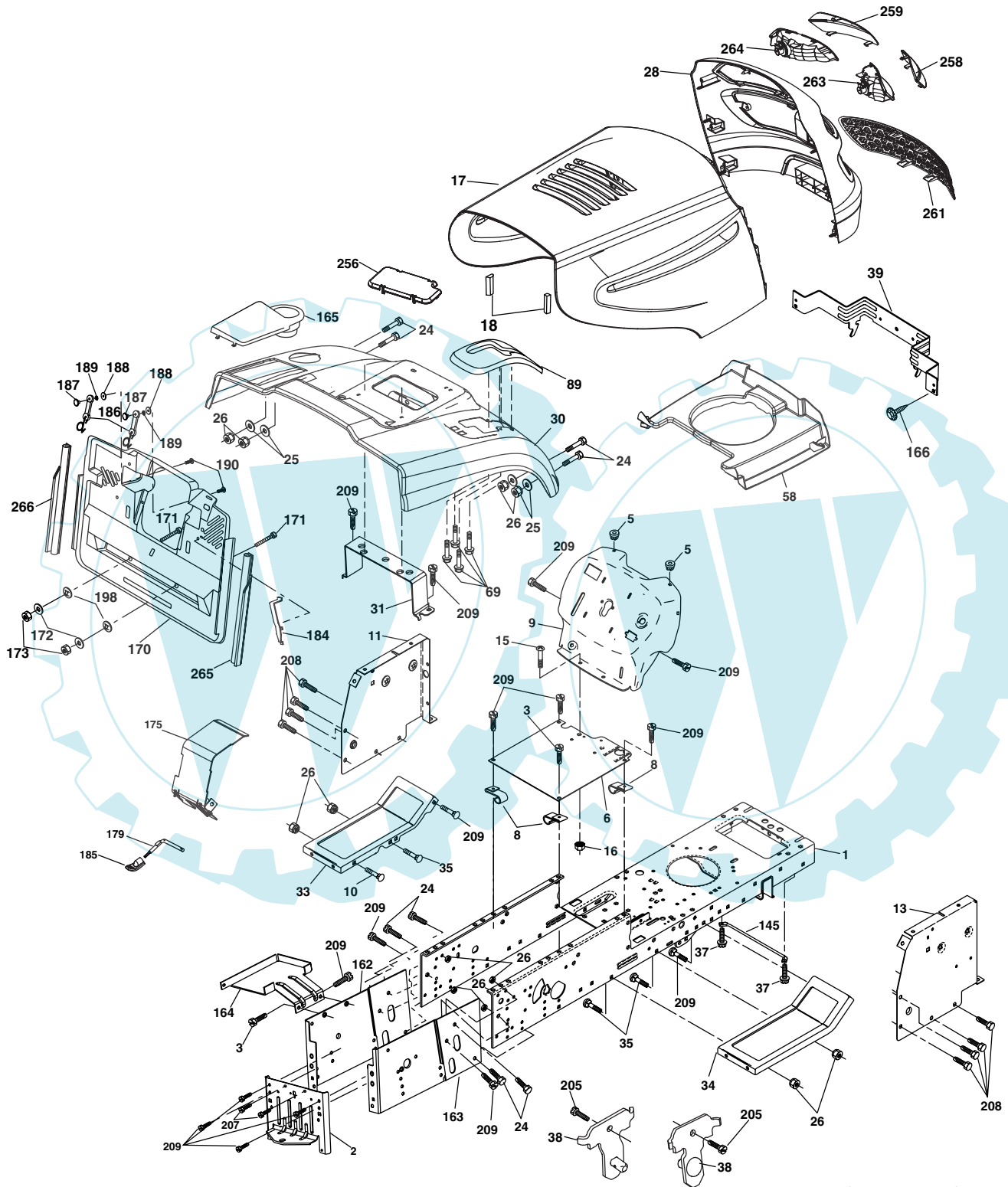


| KEY NO. | PART NO.            | DESCRIPTION                       |
|---------|---------------------|-----------------------------------|
| 1       | 532 16 34-65        | Battery                           |
| 2       | 874 76 04-12        | Bolt Hex Hd 1/4-20 unc x 3/4      |
| 16      | 532 17 61-38        | Switch Interlock                  |
| 21      | 532 18 37-59        | Harness Asm Light W/4152J         |
| 22      | <b>532 00 41-52</b> | Bulb Light #1156                  |
| 24      | <b>532 12 47-80</b> | Cable Starter 6 Ga. 11" Red       |
| 25      | 532 16 59-87        | Cable Battery Crd 56" Red         |
| 26      | 532 17 51-58        | Fuse                              |
| 27      | 873 51 04-00        | Nut Keps Hex 1/4-20 unc           |
| 28      | 532 12 77-25        | Cable Ground 6 Ga. 18" Black      |
| 29      | 532 16 07-84        | Switch Plunger Normal OP Olive    |
| 30      | 532 17 55-66        | Switch Ignition                   |
| 33      | 532 14 04-01        | Key Ign                           |
| 40      | 532 17 97-28        | Harness Ign                       |
| 41      | 871 11 04-08        | Bolt Flk Fin Hex 1/4-20 unc x 1/2 |
| 42      | 532 13 15-63        | Cover Terminal Red                |
| 43      | 532 17 88-61        | Solenoid                          |
| 48      | 532 14 08-44        | Adapter, Ammeter                  |
| 52      | 532 14 19-40        | Protection Wire Loop              |
| 58      | 532 16 94-19        | Buzzer Crd                        |
| 59      | 532 18 03-79        | Switch FBI CRD                    |
| 66      | 817 49 06-08        | Screw Thdrol 3/8-16 x 1/2 Ty-Tt   |
| 81      | 532 10 97-48        | Relay Asm                         |

**NOTE:** All component dimensions given in U.S. inches.  
1 inch = 25.4 mm.

# REPAIR PARTS

TRACTOR-MODEL NO. BM155H107RB (BM155H107RBA), PRODUCT NUMBER 964 77 44-01  
CHASSIS AND ENCLOSURES



Chassis\_Elite Pro\_CRD\_2

# REPAIR PARTS

TRACTOR-MODEL NO. BM155H107RB (BM155H107RBA), PRODUCT NUMBER 964 77 44-01  
CHASSIS AND ENCLOSURES

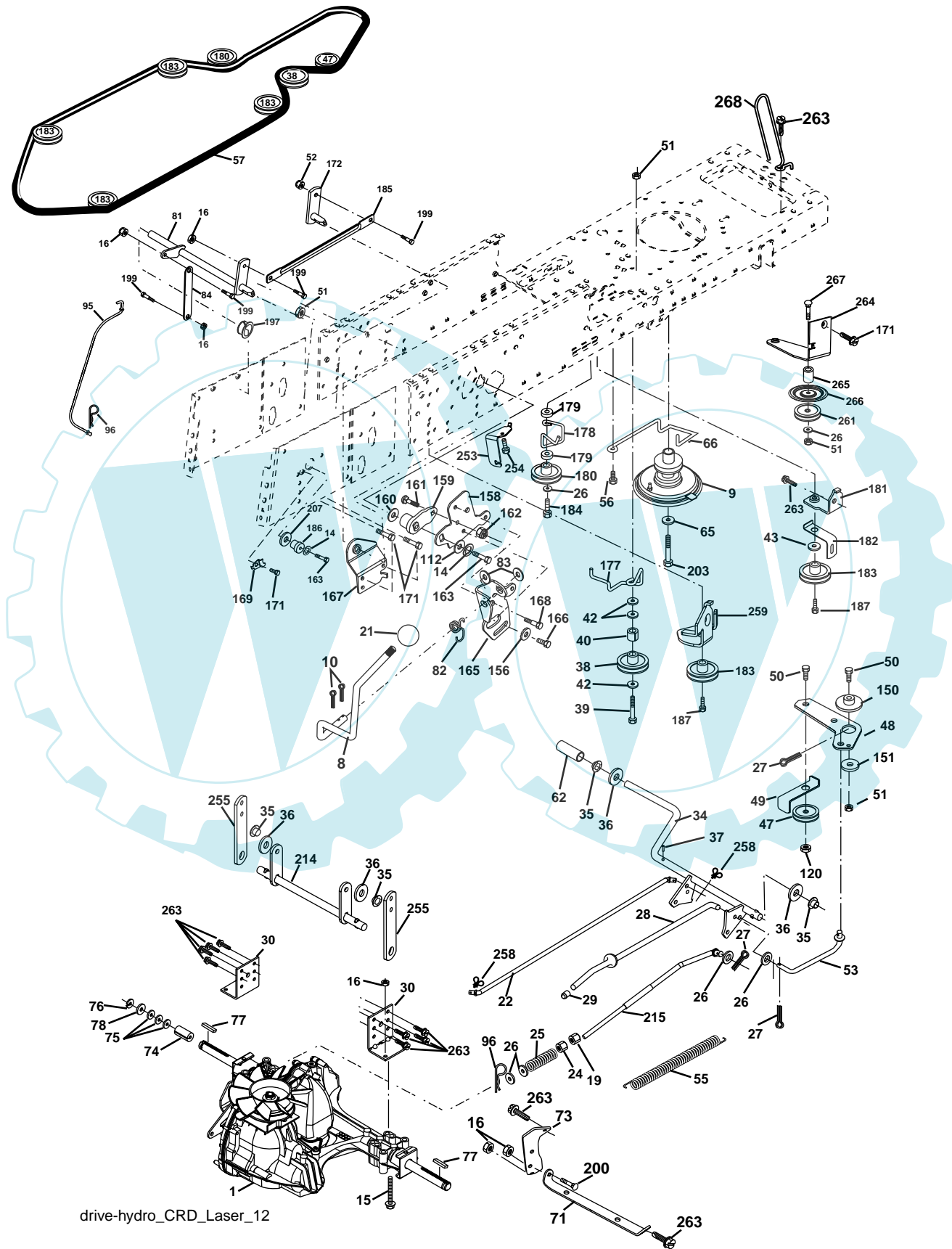
| KEY NO. | PART NO.            | DESCRIPTION                                     |
|---------|---------------------|---|
| 1       | 532 17 46-20        | Chassis   |
| 2       | 532 18 03-84        | Drawbar   |
| 3       | 817 06 06-12        | Screw 3/8-16 x .75                              |
| 5       | 532 15 52-72        | Bumper Hood/Dash                                |
| 6       | 532 18 44-19        | Saddle  |
| 8       | 532 12 64-71        | Clip Insulator 13/32 Mtg. Hole                  |
| 9       | <b>532 18 54-80</b> | Dash  |
| 10      | 872 14 06-08        | Bolt, Carriage 3/8-16 x 3/4                     |
| 11      | 532 17 49-96        | Panel, Dash, L.H.                               |
| 13      | <b>532 18 69-52</b> | Panel, Asm. Dash R.H.                           |
| 15      | 874 18 05-12        | Screw, Machine, Truss Head<br>5/16-18 unc x 3/4 |
| 16      | 873 51 05-00        | Nut   |
| 17      | <b>532 19 24-37</b> | Hood Assembly                                   |
| 18      | 532 12 69-38        | Bumper Hood                                     |
| 24      | 874 78 06-16        | Bolt  |
| 25      | 819 13 13-12        | Washer 13/32 x 13/16 x 12 Ga.                   |
| 26      | 873 80 06-00        | Nut   |
| 28      | 532 18 82-24        | Grille Lens Asm                                 |
| 29      | 532 17 90-14        | <b>Lens</b>                                     |
| 30      | <b>532 19 24-69</b> | Fender  |
| 31      | 532 16 51-56        | Bracket, Fender Support                         |
| 33      | <b>532 18 64-57</b> | Footrest, L.H.                                  |
| 34      | <b>532 18 64-58</b> | Footrest, R.H.                                  |
| 35      | 872 11 06-06        | Bolt  |
| 37      | 817 49 05-08        | Screw Thdrol 5/16-18 x 1/2 TYT                  |
| 38      | 532 18 17-48        | Bracket Asm Pivot Mower Rear                    |
| 39      | 532 17 47-14        | Bracket Pivot                                   |
| 58      | 532 15 01-27        | Duct Air Engine Pl/Lt                           |
| 69      | 532 14 24-32        | Screw Hex 1/4-1/2                               |
| 89      | 532 18 13-60        | Console   |
| 145     | 532 15 65-24        | Rod Pivot Chassis/Hood                          |
| 162     | 532 18 03-82        | Bracket Exten Chassis Lh CRD                    |
| 163     | 532 18 03-83        | Bracket Exten Chassis Rh CRD                    |

| KEY NO. | PART NO.            | DESCRIPTION                       |
|---------|---------------------|-----------------------------------|
| 164     | 532 16 56-05        | Support Battery CRD               |
| 165     | 532 18 13-56        | Cover Battery CRD                 |
| 166     | 532 17 18-75        | Screw HWHD Hi-Lo #13-16 x 5/8     |
| 170     | 532 17 88-62        | Backplate CRD                     |
| 171     | 872 14 06-20        | Bolt Rdhd Sqnk 3/8-16 x 2-1/2 G5  |
| 172     | 819 13 20-16        | Washer 13/32 x 1-1/4 x 16 Ga.     |
| 173     | 873 51 06-00        | Nut, Keps Hex 3/8-16 UNC          |
| 175     | 532 18 82-03        | Trap Door CRD                     |
| 179     | 532 18 82-02        | Rod Pivot FBI CRD                 |
| 184     | 532 17 46-62        | Bracket Actuator Bagger CRD       |
| 185     | 532 18 11-01        | Knob Rod                          |
| 186     | 532 16 07-93        | Latch Asm Multch Bagger           |
| 187     | 532 12 50-04        | Nut Weld .327/.304 #10-24         |
| 188     | 819 06 12-16        | Washer #10                        |
| 189     | 810 07 10-00        | Washer Lock #10                   |
| 190     | 871 08 10-10        | Screw Pan Hd Phillips 10-24 x 5/8 |
| 198     | 532 16 89-37        | Nut Push                          |
| 205     | 817 49 06-08        | Screw 3/8-16 x 1/2                |
| 207     | 817 67 05-08        | Screw 5/16-18 x 1/2               |
| 208     | 817 67 06-08        | Screw Thdrol 3/8-16 x 1/2         |
| 209     | 817 00 06-12        | Screw Hex Wsh Thdrol 3/8-16 x 3/4 |
| 256     | 532 18 13-61        | Cover Fender Rack CRD             |
| 258     | <b>532 18 97-55</b> | Lens RH                           |
| 259     | <b>532 18 97-54</b> | Lens LH                           |
| 261     | <b>532 18 97-53</b> | Insert Grille                     |
| 263     | 532 18 38-33        | Bezel Grille RH                   |
| 264     | 532 18 38-32        | Bezel Grille LH                   |
| 265     | 532 18 57-04        | Seal, Side RH                     |
| 266     | 532 18 57-03        | Seal, Side LH                     |
| --      | 532 00 54-79        | Plug, Button                      |

**NOTE:** All component dimensions given in U.S. inches.  
1 inch = 25.4 mm.

# REPAIR PARTS

TRACTOR-MODEL NO. BM155H107RB (BM155H107RBA), PRODUCT NUMBER 964 77 44-01  
DRIVE





# REPAIR PARTS

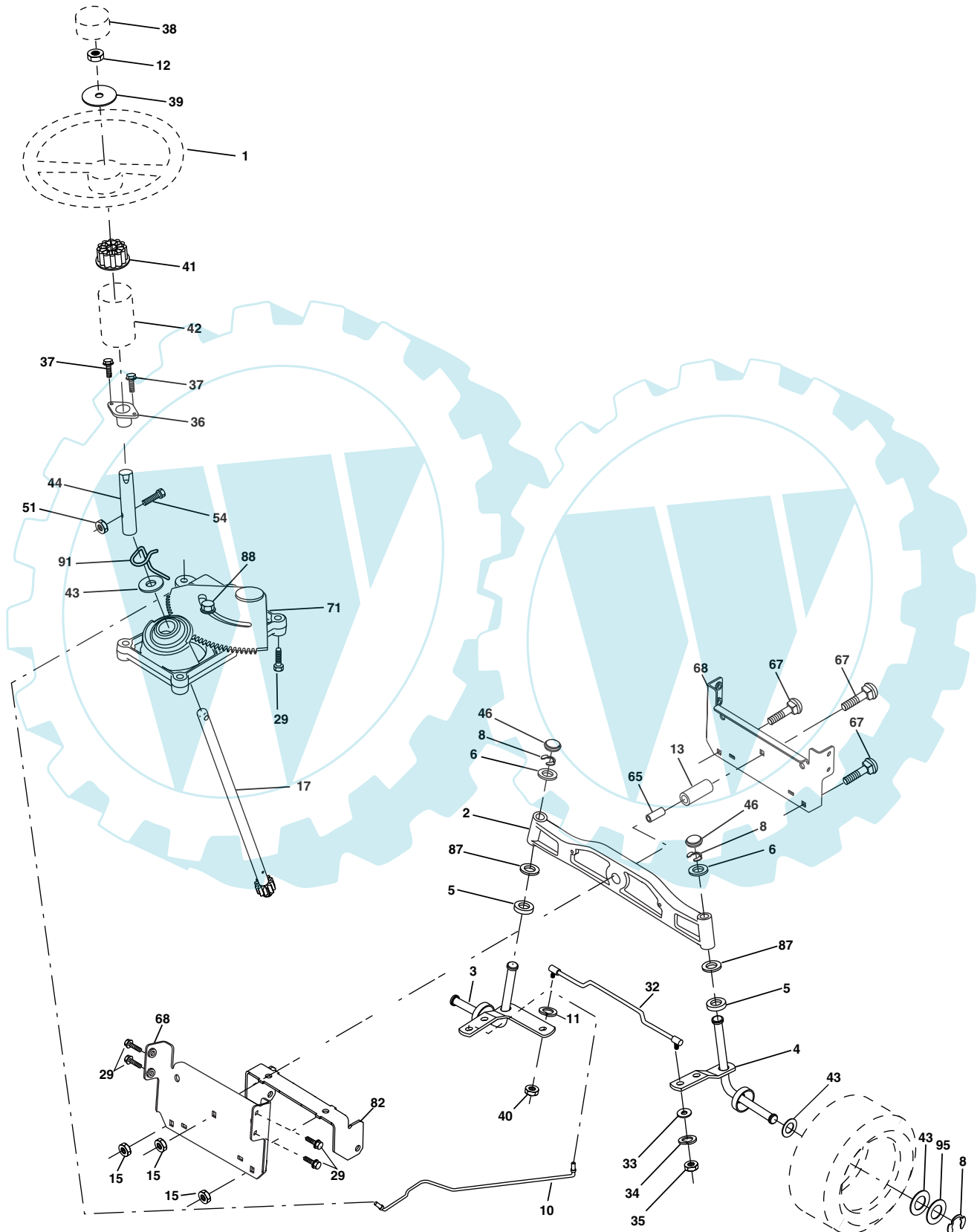
TRACTOR-MODEL NO. BM155H107RB (BM155H107RBA), PRODUCT NUMBER 964 77 44-01  
DRIVE

| KEY NO. | PART NO.            | DESCRIPTION  | KEY NO. | PART NO.            | DESCRIPTION                        |
|---------|---------------------|--|---------|---------------------|------------------------------------|
| 1       | -----               | Transaxle Hydro Gear 321-0510<br>(Order parts from transaxle manufacturer) | 96      | <b>532 12 47-88</b> | Spring, Retainer 1"                |
| 8       | 532 16 56-19        | Rod, Shift Fender Adjust Lt  | 112     | 819 09 12-10        | Washer 9/32 x 3/4 x 10 Ga.         |
| 9       | 532 18 03-54        | Clutch   | 120     | 873 90 06-00        | Nut Lock Flg. 3/8-16 Unc           |
| 10      | 876 02 04-16        | Pin, Cotter 1/8 x 1  | 150     | 532 16 58-50        | Bushing, Bellcrank Grnd Dr         |
| 14      | 810 04 04-00        | Washer, Lock Hvy Helical   | 151     | 819 13 32-10        | Washer 13/32 x 2 x 10 Ga.          |
| 15      | 874 49 05-44        | Bolt Hex FGHD 5/16-18 x Gr 5   | 156     | 532 16 60-02        | Washer Srrted 5/16ID x 1.125       |
| 16      | 873 80 05-00        | Nut, Lock Hex w/Ins 5/16-18 Unc  | 158     | 532 16 55-89        | Bracket Shift Mount                |
| 19      | 873 80 06-00        | Nut, Lock Hex w/Ins. 3/8-16  | 159     | 532 18 39-00        | Hub Shift                          |
| 21      | 532 10 69-33        | Knob   | 160     | 819 29 20-16        | Washer 29/32 x 1-1/4 x 16 Ga.      |
| 22      | 532 17 56-07        | Rod, Brake   | 161     | 872 14 04-06        | Bolt Rdhd Sqnk 1/4-20 x 3/4 Gr 5   |
| 24      | 873 35 06-00        | Nut  | 162     | 873 68 04-00        | Nut Crownlock 1/4-20 Unc           |
| 25      | 532 10 68-88        | Spring, Rod, Brake   | 163     | 874 78 04-16        | Bolt Hex Fin 1/4-20 Unc x 1 Gr 5   |
| 26      | 819 13 13-16        | Washer 13/32 x 13/16 x 16 Ga.  | 165     | 532 16 56-23        | Bracket Pivot Lever                |
| 27      | 876 02 04-12        | Pin, Cotter 1/8 x 3/4  | 166     | 817 49 05-10        | Screw 5/16-18 x 5/8                |
| 28      | 532 17 57-65        | Rod, Parking Brake   | 167     | 532 16 55-88        | Bracket Support Shift CRD          |
| 29      | 532 07 16-73        | Cap, Parking Brake   | 168     | 532 16 54-92        | Bolt Shoulder 5/16-18 x .561       |
| 30      | 532 16 95-92        | Bracket, Mfg. Transaxle  | 169     | 532 16 55-80        | Plate Fastening Lt                 |
| 34      | 532 17 55-78        | Shaft, Asm Pedal Foot CRD  | 171     | 817 49 06-08        | Screw Thdrol 3/8-16 x 1/2 Ty-Tt    |
| 35      | 532 12 01-83        | Bearing, Nylon   | 172     | 532 17 02-71        | Shaft Asm Shifter Frt CRD          |
| 36      | 819 21 16-16        | Washer 21/32 x 1 x 16 Ga.  | 177     | 532 16 59-32        | Keeper Flat Idler 3.06" CRD        |
| 37      | <b>532 12 49-63</b> | Pin, Roll 3/16 x 1"  | 178     | 532 16 59-33        | Keeper Belt Idler 1.88" CRD        |
| 38      | 532 16 59-36        | Pulley Flat Composite 3.06"  | 179     | 532 12 09-58        | Washer Sintered                    |
| 39      | 874 76 06-44        | Bolt Fin Hex 3/8-16 Unc x 2-3/4  | 180     | 532 16 56-30        | Pulley, Idler, Flat 1.88"CRD       |
| 40      | <b>532 12 49-65</b> | Spacer, Split 395 x 59 Bzp   | 181     | 532 18 02-11        | Bracket Idler Ground Drive CRD     |
| 42      | 819 13 13-12        | Washer 13/32 x 13/16 x 12 Ga.  | 182     | 532 18 26-82        | Keeper Belt 2.5" Od V-Idler CRD    |
| 43      | 819 11 10-12        | Washer 11/32 x 5/8 x 12 Ga   | 183     | 532 18 60-07        | Pulley V-Idler 2.50" Od CRD        |
| 47      | 532 12 77-83        | Pulley, Idler, V Groove Plastic  | 184     | 817 49 06-44        | Screw Hexwsh Thdrol 3/8-16 x 2-3/4 |
| 48      | 532 15 44-07        | Bellcrank Clutch Grnd Drv  | 185     | 532 17 00-08        | Link Shift                         |
| 49      | 532 12 32-05        | Retainer, Belt Style Spring  | 186     | 532 16 56-14        | Hub Tapered Round CRD              |
| 50      | 872 11 06-12        | Bolt, Carr. 3/8-16 x 1/2 x Gr. 5   | 187     | 817 58 05-20        | Screw Thdrol 5/16-18 x 1.25        |
| 51      | 873 68 06-00        | Nut, Crownlock 3/8-16 Unc  | 197     | 532 16 96-13        | Nyliner Snap-In 5/8                |
| 52      | 873 68 05-00        | Nut Crownlock 5/16-18  | 199     | 532 16 96-12        | Bolt Shoulder 5/16-18 Unc          |
| 53      | 532 10 57-10        | Link, Clutch 7.66  | 200     | 872 14 05-08        | Bolt RDHD SQNK 5/16-18 x 1         |
| 55      | 532 10 57-09        | Spring, Return, Clutch   | 203     | 871 17 07-80        | Bolt Hex 7/16-20 x 5               |
| 56      | 817 06 06-20        | Screw 3/8-16 x 1-1/4   | 207     | 532 16 98-45        | Washer Nylon Rear                  |
| 57      | 532 17 01-40        | V-Belt Kev 112" 0650 CRD   | 214     | 532 17 56-09        | Shaft Asm. Brake                   |
| 62      | <b>532 12 48-72</b> | Cover, Pedal   | 215     | 532 17 56-52        | Rod Brake Hydro                    |
| 65      | 810 04 07-00        | Washer   | 253     | 532 17 50-28        | Bracket, Cable                     |
| 66      | 532 15 47-78        | Keeper, Belt Engine F-Proof  | 254     | 817 00 06-16        | Screw 3/8-16 x 1                   |
| 71      | 532 16 91-82        | Strap, Torque, Rh  | 255     | 532 17 56-08        | Brace Shaft Brake Mtg.             |
| 73      | 532 16 91-83        | Strap, Torque, Lh  | 258     | 532 17 80-62        | Clip Retainer                      |
| 74      | 532 13 70-57        | Spacer, Split  | 259     | 532 18 02-12        | Bracket Pulley                     |
| 75      | 532 12 17-49        | Washer 25/32 x 1-1/4 x 16 Ga.  | 261     | 532 13 14-94        | Pulley Idler Flat                  |
| 76      | 812 00 00-01        | Ring, E  | 263     | 817 00 06-12        | Screw 3/8-16 x 3/4                 |
| 77      | 532 12 35-83        | Key, Square  | 264     | 532 18 19-95        | Bracket Clutch                     |
| 78      | 532 12 17-48        | Washer 25/32 x 1-5/8 x 16 Ga.  | 265     | 532 18 20-13        | Spacer, Idler                      |
| 81      | 532 17 00-06        | Asm, Shaft   | 266     | 532 18 20-61        | Shield, Idler                      |
| 82      | 532 16 57-11        | Spring, Torsion  | 267     | 872 14 06-26        | Bolt Carr. 3/8-16 x 3-1/4          |
| 83      | 819 17 12-16        | Washer 17/32 x 3/4 x 16 Ga.  | 268     | 532 18 24-02        | Guard Muffler                      |
| 84      | 532 17 00-07        | Link, Transaxle  |         |                     |                                    |
| 95      | 532 17 00-15        | Control Asm Bypass Hydro   |         |                     |                                    |

**NOTE:** All component dimensions given in U.S. inches  
1 inch = 25.4 mm

# REPAIR PARTS

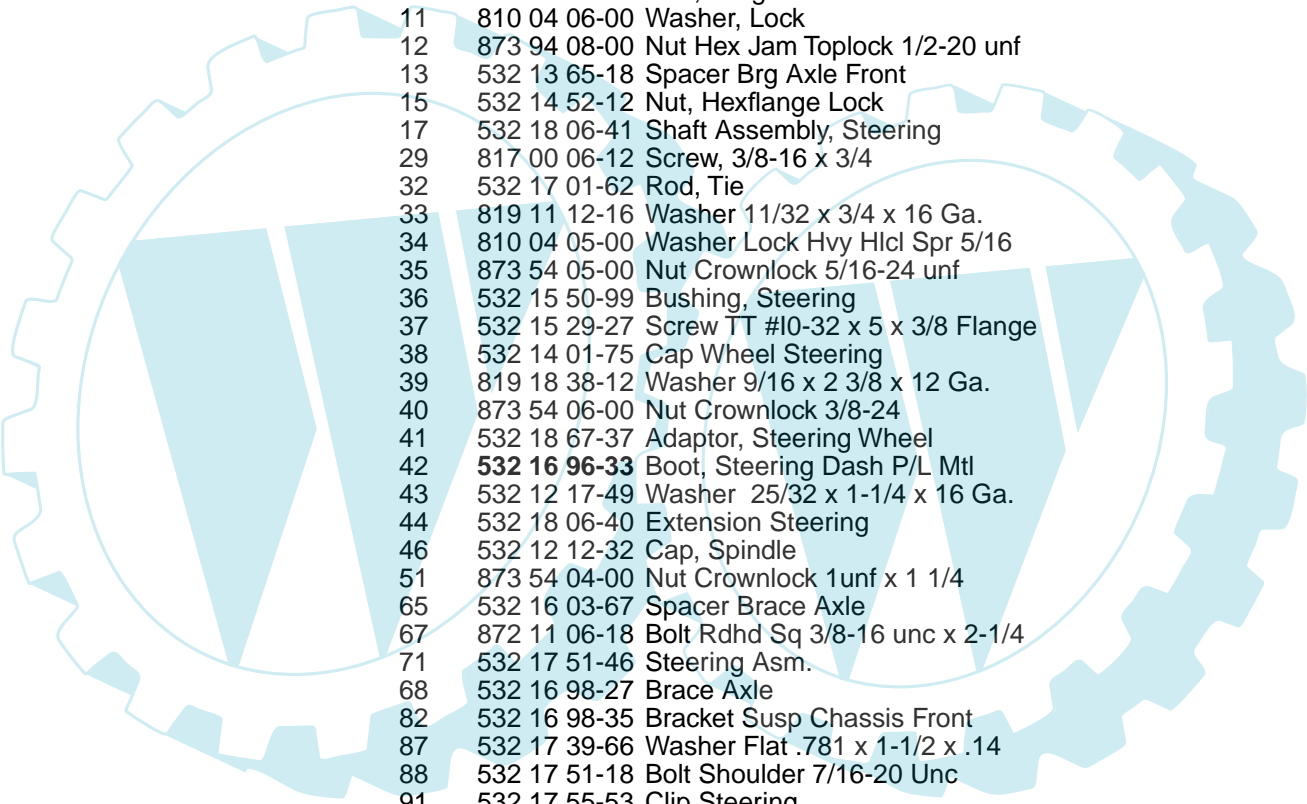
TRACTOR-MODEL NO. BM155H107RB (BM155H107RBA), PRODUCT NUMBER 964 77 44-01  
STEERING ASSEMBLY



steering\_pl.lt\_29

## REPAIR PARTS

TRACTOR-MODEL NO. BM155H107RB (BM155H107RBA), PRODUCT NUMBER 964 77 44-01  
STEERING ASSEMBLY

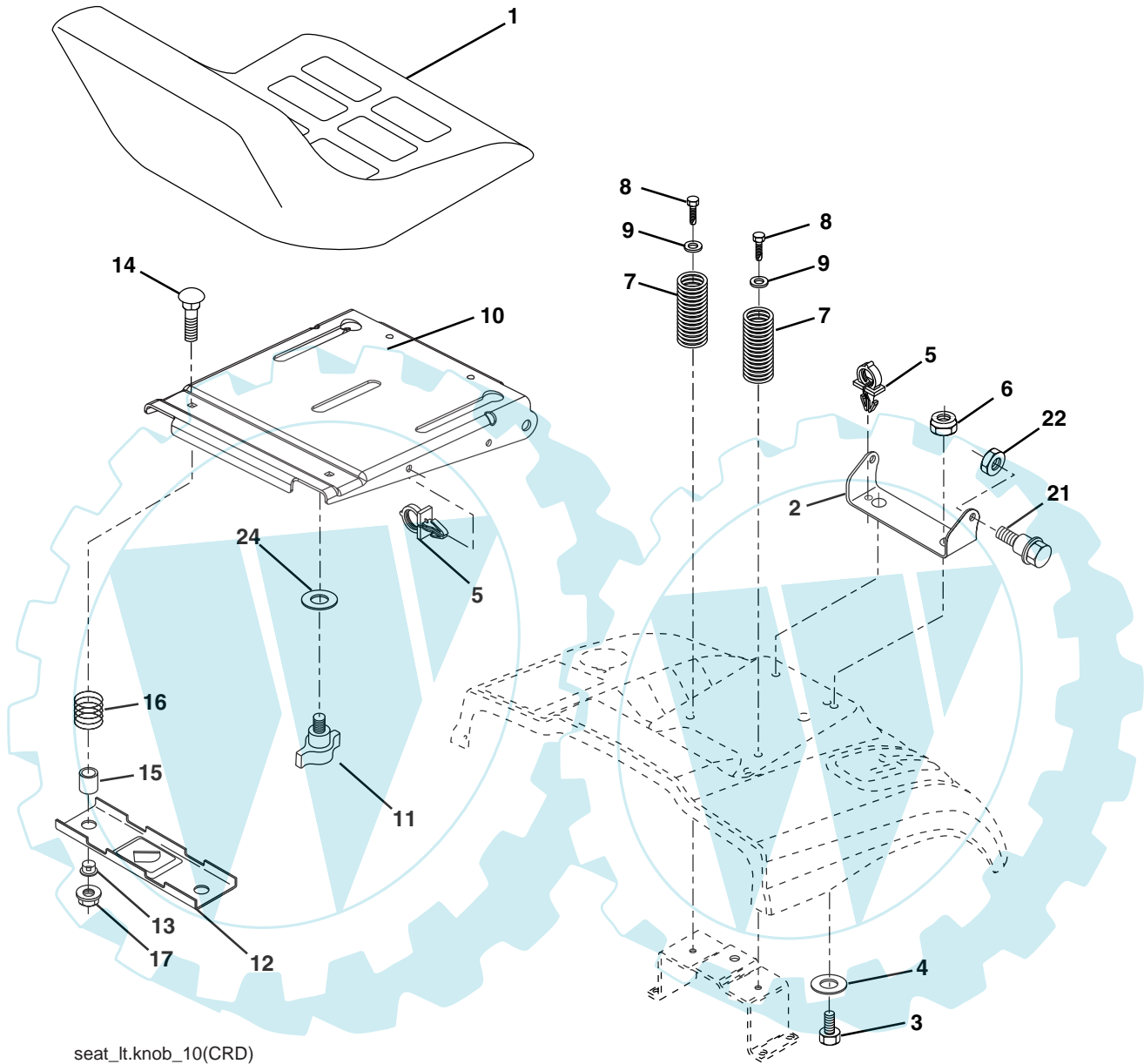


| KEY NO. | PART NO.            | DESCRIPTION                      |
|---------|---------------------|----------------------------------|
| 1       | 532 13 97-68        | Steering Wheel                   |
| 2       | 532 18 47-06        | Axle Assembly                    |
| 3       | 532 16 98-40        | Spindle Assembly, L.H.           |
| 4       | 532 16 98-39        | Spindle Assembly, R.H.           |
| 5       | <b>532 12 49-31</b> | Bearing, Race, Thrust, Hardened  |
| 6       | 532 12 17-48        | Washer 25/32 x 1-5/8 x 16 Ga.    |
| 8       | 812 00 00-29        | Ring, Klip                       |
| 10      | 532 17 51-21        | Link, Drag                       |
| 11      | 810 04 06-00        | Washer, Lock                     |
| 12      | 873 94 08-00        | Nut Hex Jam Toplock 1/2-20 unf   |
| 13      | 532 13 65-18        | Spacer Brg Axle Front            |
| 15      | 532 14 52-12        | Nut, Hexflange Lock              |
| 17      | 532 18 06-41        | Shaft Assembly, Steering         |
| 29      | 817 00 06-12        | Screw, 3/8-16 x 3/4              |
| 32      | 532 17 01-62        | Rod, Tie                         |
| 33      | 819 11 12-16        | Washer 11/32 x 3/4 x 16 Ga.      |
| 34      | 810 04 05-00        | Washer Lock Hvy Hlcl Spr 5/16    |
| 35      | 873 54 05-00        | Nut Crownlock 5/16-24 unf        |
| 36      | 532 15 50-99        | Bushing, Steering                |
| 37      | 532 15 29-27        | Screw TT #10-32 x 5 x 3/8 Flange |
| 38      | 532 14 01-75        | Cap Wheel Steering               |
| 39      | 819 18 38-12        | Washer 9/16 x 2 3/8 x 12 Ga.     |
| 40      | 873 54 06-00        | Nut Crownlock 3/8-24             |
| 41      | 532 18 67-37        | Adaptor, Steering Wheel          |
| 42      | <b>532 16 96-33</b> | Boot, Steering Dash P/L Mtl      |
| 43      | 532 12 17-49        | Washer 25/32 x 1-1/4 x 16 Ga.    |
| 44      | 532 18 06-40        | Extension Steering               |
| 46      | 532 12 12-32        | Cap, Spindle                     |
| 51      | 873 54 04-00        | Nut Crownlock 1unf x 1 1/4       |
| 65      | 532 16 03-67        | Spacer Brace Axle                |
| 67      | 872 11 06-18        | Bolt Rdhd Sq 3/8-16 unc x 2-1/4  |
| 71      | 532 17 51-46        | Steering Asm.                    |
| 68      | 532 16 98-27        | Brace Axle                       |
| 82      | 532 16 98-35        | Bracket Susp Chassis Front       |
| 87      | 532 17 39-66        | Washer Flat .781 x 1-1/2 x .14   |
| 88      | 532 17 51-18        | Bolt Shoulder 7/16-20 Unc        |
| 91      | 532 17 55-53        | Clip Steering                    |
| 95      | 532 18 89-67        | Washer Hardened                  |

**NOTE:** All component dimensions given in U.S. inches.  
1 inch = 25.4 mm.

# REPAIR PARTS

TRACTOR-MODEL NO. BM155H107RB (BM155H107RBA), PRODUCT NUMBER 964 77 44-01  
SEAT ASSEMBLY



seat\_lt.knob\_10(CRD)

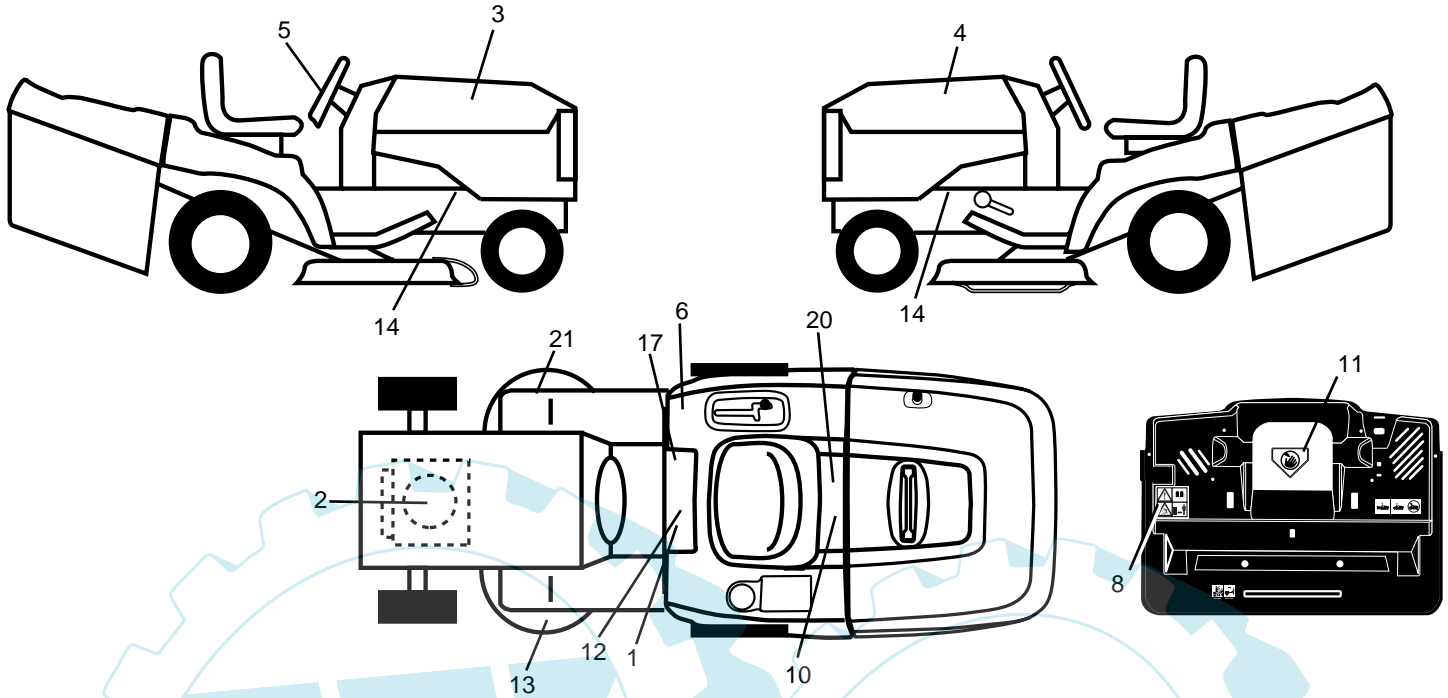
| KEY NO. | PART NO.     | DESCRIPTION                    |
|---------|--------------|--------------------------------|
| 1       | 532 18 87-06 | Seat                           |
| 2       | 532 18 01-66 | Bracket Pnt Pivot Seat (blk )  |
| 3       | 871 11 06-16 | Bolt Fin Hex 3/8-16 Unc x 1    |
| 4       | 819 13 16-10 | Washer Flat 13/32 x 1 x 10 Ga. |
| 5       | 532 14 50-06 | Clip Push In Hinged            |
| 6       | 873 80 06-00 | Nut Lock Hex 3/8-16 Unc        |
| 7       | 532 12 41-81 | Spring Seat Cprsn 2 250 Blk Zi |
| 8       | 817 00 06-16 | Screw 3/8-16 X 1-1/2           |
| 9       | 819 13 16-14 | Washer 13/32 X 1 X 14 Ga       |
| 10      | 532 18 01-86 | Pan Pnt Seat (blk )            |
| 11      | 532 16 63-69 | Knob Seat Adj Wingnut          |
| 12      | 532 12 12-46 | Bracket Pnt Mounting Switch    |

| KEY NO. | PART NO.     | DESCRIPTION                    |
|---------|--------------|--------------------------------|
| 13      | 532 12 12-48 | Bushing Snap Blk Nyl 50 Id     |
| 14      | 872 05 04-12 | Bolt Rdhd Sht Nk 1/4-20x1-1/2  |
| 15      | 532 12 12-49 | Spacer Split                   |
| 16      | 532 12 37-40 | Spring Cprsn                   |
| 17      | 532 12 39-76 | Nut Lock 1/4 Lge Flg Gr 5 Zinc |
| 21      | 532 17 18-52 | Bolt Shoulder 5/16-18 Unc-2A   |
| 22      | 873 80 05-00 | Nut Hex Lock w/Ins 5/16-18     |
| 24      | 819 17 19-12 | Washer 17/32 X 1-3/16 X 12 Ga. |

**NOTE:** All component dimensions given in U.S. inches.  
1 inch = 25.4 mm

# REPAIR PARTS

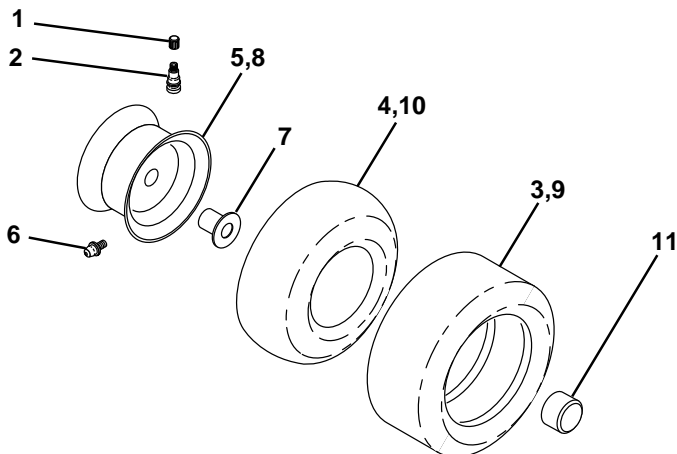
TRACTOR-MODEL NO. BM155H107RB (BM155H107RBA), PRODUCT NUMBER 964 77 44-01  
DECALS



| KEY NO. | PART NO.     | DESCRIPTION                   |
|---------|--------------|-------------------------------|
| 1       | 532 14 54-98 | Decal Read Owner's Manual Sym |
| 2       | 532 18 95-13 | Decal Hp Engine               |
| 3       | 532 18 96-61 | Decal Hood RH                 |
| 4       | 532 18 96-62 | Decal Hood LH                 |
| 5       | 532 18 96-60 | Decal Steering Wheel          |
| 6       | 532 18 04-32 | Decal 100 DBA/CE              |
| 8       | 532 18 04-35 | Decal Rear Plate              |
| 10      | 532 14 50-05 | Decal Bat Dan/Poi P/L Sym Wpn |
| 11      | 532 18 21-66 | Decal Mower Cut Finger Symbol |
| 12      | 532 15 97-37 | Decal Brake/Clutch Symbol Lt  |
| 13      | 532 18 78-11 | Decal Enviro                  |
| 14      | 532 15 97-36 | Decal Chassis Hot Muffler     |

| KEY NO. | PART NO.            | DESCRIPTION                |
|---------|---------------------|----------------------------|
| 17      | 532 14 08-37        | Decal Saddle Brake Parking |
| 20      | 532 16 69-60        | Decal Bypass Fender CRD    |
| 21      | 532 16 62-86        | Decal Hex Belt Sch         |
| —       | 532 13 83-11        | Decal Lift Handle          |
| —       | 532 18 10-90        | Pad Footrest RH            |
| —       | 532 18 10-91        | Pad Footrest LH            |
| —       | 532 18 26-21        | Decal Bagger Frame         |
| —       | 532 18 95-38        | Manual Operator's (Euro)   |
| —       | 532 18 95-35        | Manual Operator's (Port)   |
| —       | 532 18 95-36        | Manual Operator's (Polish) |
| —       | <b>532 18 95-37</b> | <b>Manual Parts</b>        |

## WHEELS & TIRES

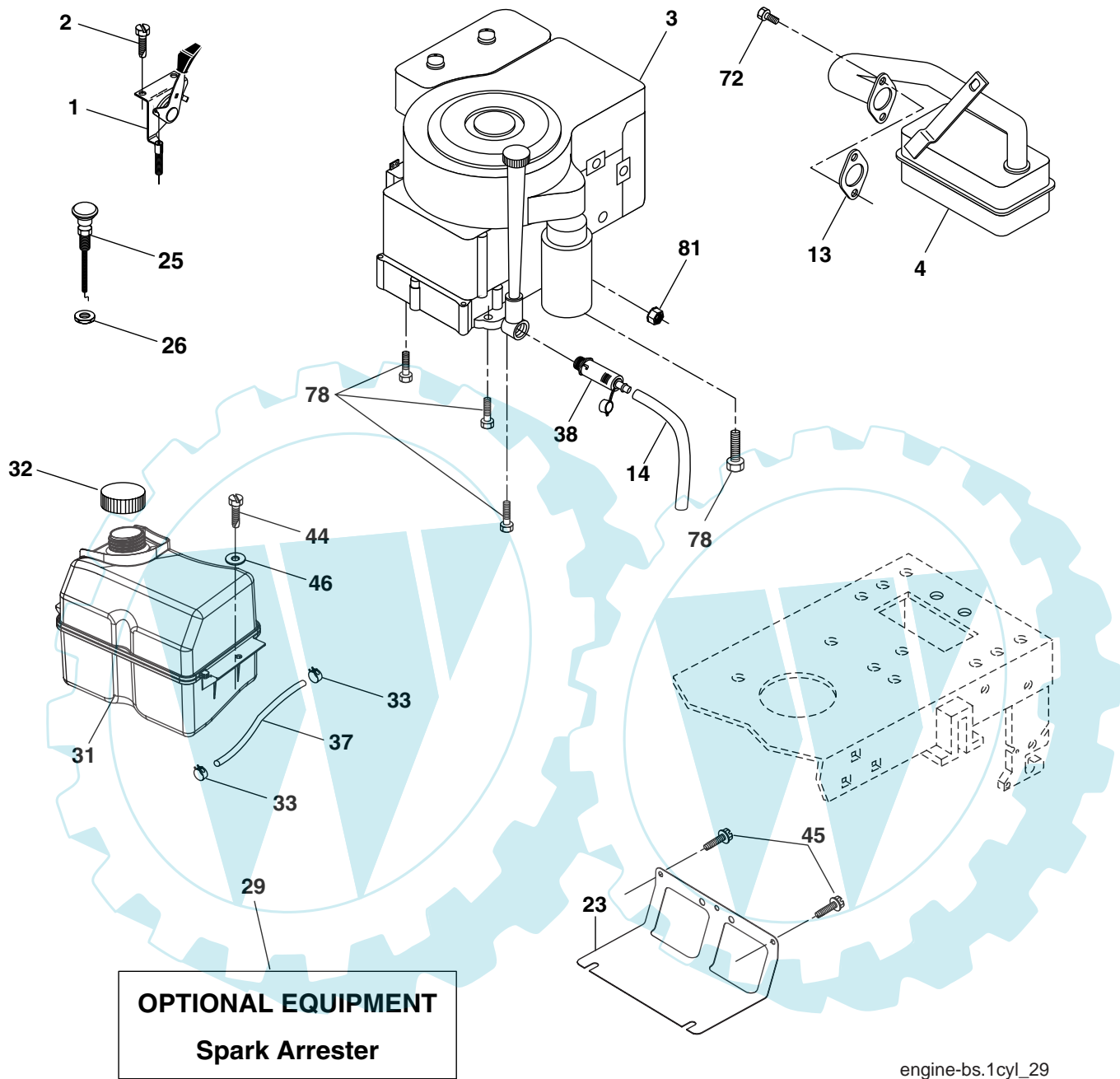


| KEY NO. | PART NO.     | DESCRIPTION                    |
|---------|--------------|--------------------------------|
| 1       | 532 05 91-92 | Cap Value Tire                 |
| 2       | 532 06 51-39 | Stem Value                     |
| 3       | 532 10 62-22 | Tire F Ts 15 X 6 0 - 6 Service |
| 4       | 532 05 99-04 | Tube Inner Front #35060        |
| 5       | 532 13 83-36 | Rim Asm 6"front Service        |
| 6       | 532 12 49-57 | Fitting Grease                 |
| 7       | 532 12 49-59 | Bearing Flange                 |
| 8       | 532 13 83-37 | Rim Asm 8"rear Service         |
| 9       | 532 12 20-82 | Tire R Ts 20 x 10-8 Service    |
| 10      | 532 12 49-26 | Tube Rear 9 5 X 8 Service      |
| 11      | 532 17 50-39 | Cap Axle Blk 1 50 X 1 00       |
| --      | 532 14 43-34 | Sealant, Tire (10 oz. tube)    |

**NOTE:** All component dimensions given in U.S. inches  
1 inch = 25.4 mm

# REPAIR PARTS

TRACTOR-MODEL NO. BM155H107RB (BM155H107RBA), PRODUCT NUMBER 964 77 44-01  
ENGINE



engine-bs.1cyl\_29

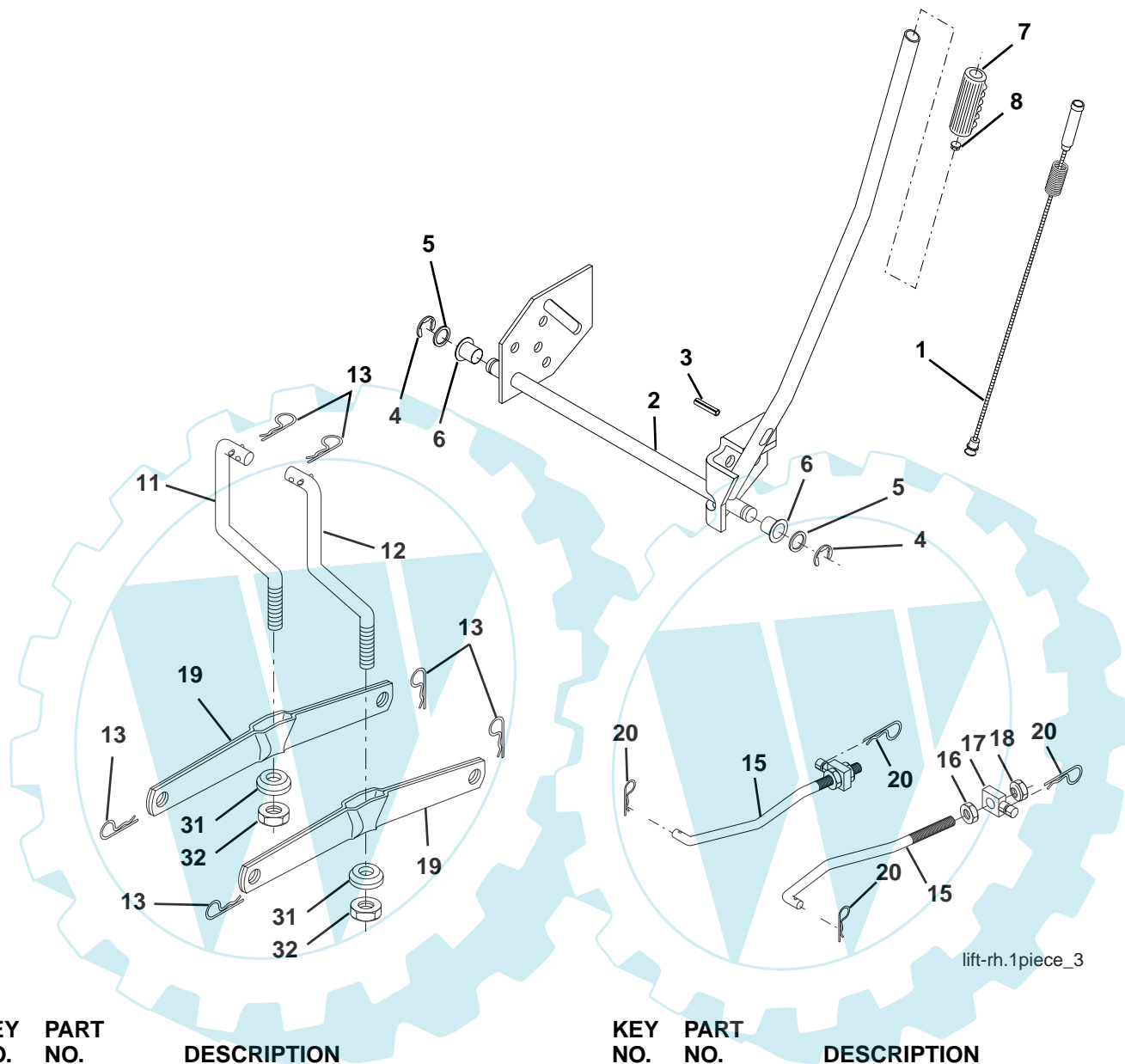
| KEY NO. | PART NO.     | DESCRIPTION   |
|---------|--------------|---|
| 1       | 532 17 05-51 | Control Throt Flag  |
| 2       | 817 72 04-08 | Screw Hex Thd Cut 1/4-20x1/2                                      |
| 3       | -----        | Engine B&S Model 31G777<br>(Order parts from engine manufacturer) |
| 4       | 532 13 73-52 | Muffler Exhaust   |
| 13      | 532 16 52-91 | Gasket Muffler  |
| 14      | 532 14 84-56 | Tube Drain Oil Easy   |
| 23      | 532 16 98-37 | Shield BRN/DBR Guard  |
| 25      | 532 18 09-45 | Control Choke   |
| 26      | 873 92 06-00 | Nut Keps 3/8-24 unf   |
| 29      | 532 13 71-80 | Arrestor Spark  |
| 31      | 532 18 55-34 | Tank Fuel Front   |

| KEY NO. | PART NO.     | DESCRIPTION                      |
|---------|--------------|----------------------------------|
| 32      | 532 14 05-27 | Cap Fuel Asm Top Vent            |
| 33      | 532 12 34-87 | Clamp Hose Blk                   |
| 37      | 532 13 70-40 | Line Fuel                        |
| 38      | 532 18 16-54 | Plug Drain Oil Easy              |
| 44      | 817 67 04-12 | Screw Hexwsh Thdrol 1/4-20 x 3/4 |
| 45      | 817 00 06-12 | Screw 3/8-16 x 3/4               |
| 46      | 819 09 14-16 | Washer 9/32 X 7/8 x 16ga         |
| 72      | 532 18 39-06 | Screw, Socket 5/16-18 x 1        |
| 78      | 817 06 06-20 | Screw 3/8-1/6 x 1-1/4            |
| 81      | 873 51 04-00 | Nut Keps 1/4-20 Unc              |

**NOTE:** All component dimensions given in U.S. inches  
1 inch = 25.4 mm

# REPAIR PARTS

TRACTOR-MODEL NO. BM155H107RB (BM155H107RBA), PRODUCT NUMBER 964 77 44-01  
MOWER LIFT



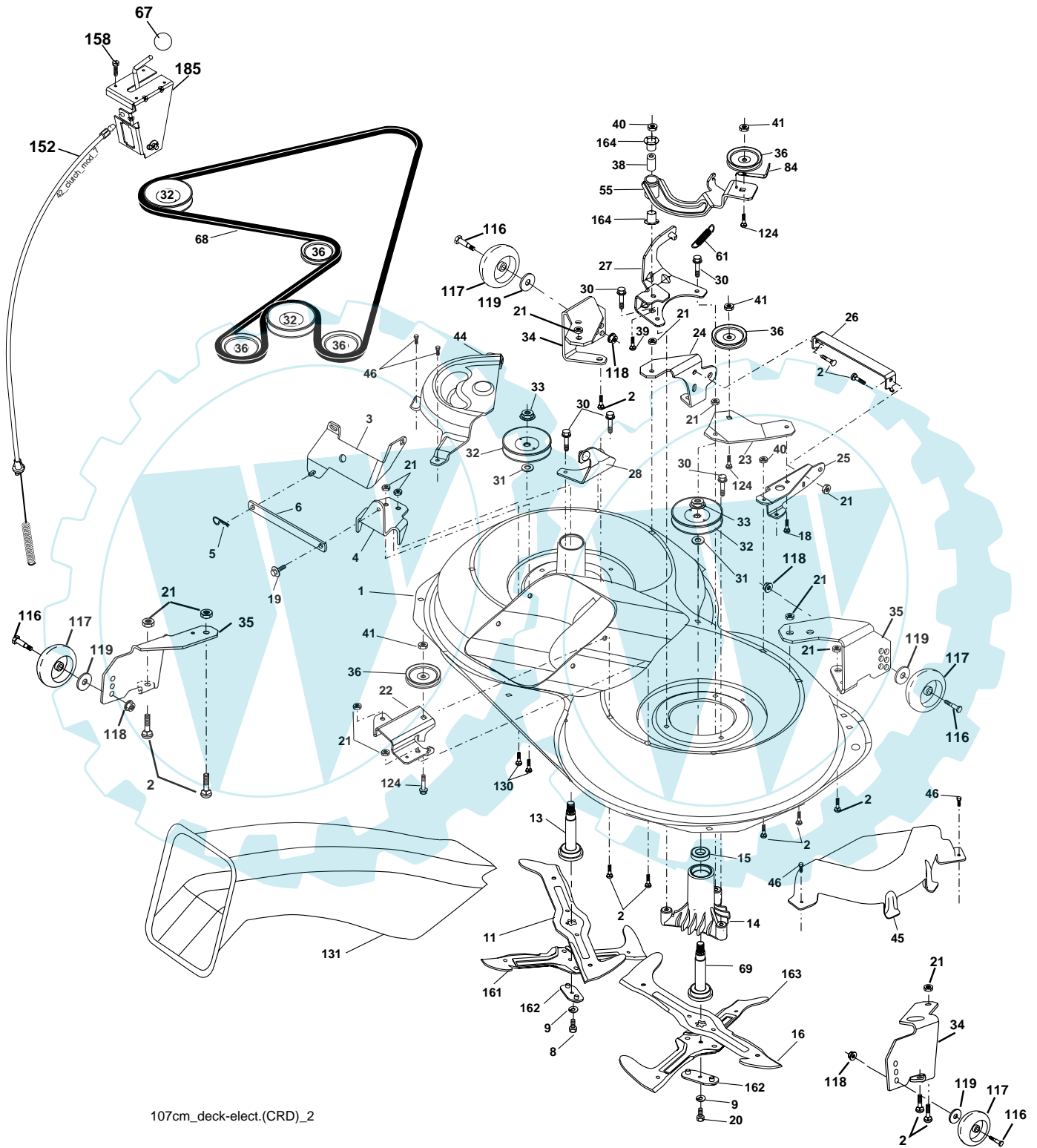
| KEY NO. | PART NO.     | DESCRIPTION                        |
|---------|--------------|------------------------------------|
| 1       | 532 15 94-61 | Washer Asm Inner Spring W/ Plunger |
| 2       | 532 15 94-76 | Shaft Asm. Lift                    |
| 3       | 532 17 89-81 | Pin Groove                         |
| 4       | 812 00 00-02 | E Ring #5133-62                    |
| 5       | 819 21 16-21 | Washer 21/32 x 1 x 21 Ga.          |
| 6       | 532 12 01-83 | Bearing Nylon                      |
| 7       | 532 10 94-13 | Grip Handle                        |
| 8       | 532 12 45-26 | Button Plunger                     |
| 11      | 532 16 58-29 | Link Asm Lift L.H.                 |
| 12      | 532 16 58-31 | Link Asm Lift R.H.                 |
| 13      | 532 00 49-39 | Retainer Spring                    |

| KEY NO. | PART NO.     | DESCRIPTION               |
|---------|--------------|---------------------------|
| 15      | 532 17 32-88 | Link Front                |
| 16      | 873 35 08-00 | Nut Jam Hex 1/2-13 Unc    |
| 17      | 532 17 56-89 | Trunnion Blk Zinc         |
| 18      | 873 80 08-00 | Nut Lock w/wsh 1/2-13 Unc |
| 19      | 532 13 98-68 | Arm Suspension Mower      |
| 20      | 532 16 35-52 | Retainer Spring           |
| 31      | 532 16 98-65 | Bearing, Pvt. Lift.       |
| 32      | 873 54 06-00 | Nut Crownlock 3/8-24      |

**NOTE:** All component dimensions given in U.S. inches  
1 inch = 25.4 mm

# REPAIR PARTS

TRACTOR-MODEL NO. BM155H107RB (BM155H107RBA), PRODUCT NUMBER 964 77 44-01  
MOWER



107cm\_deck-elect.(CRD)\_2



# REPAIR PARTS

TRACTOR-MODEL NO. BM155H107RB (BM155H107RBA), PRODUCT NUMBER 964 77 44-01  
MOWER

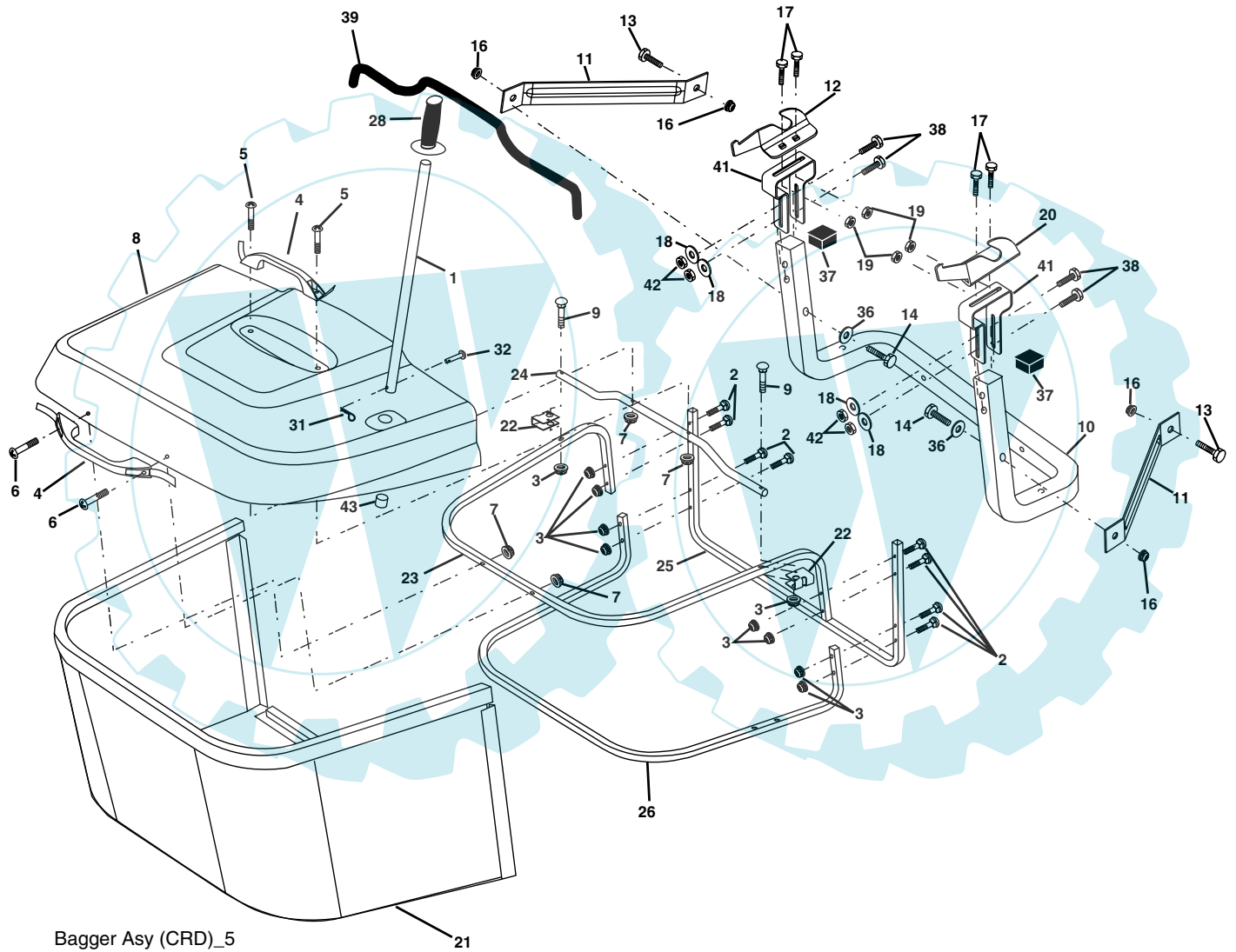
| KEY NO. | PART NO.     | DESCRIPTION                         |
|---------|--------------|-------------------------------------|
| 1       | 532 16 91-60 | Housing Asm. Mower                  |
| 2       | 872 14 05-06 | Bolt Rdhd Sqnk 5/16-18 unc x 3/4    |
| 3       | 532 16 55-69 | Bracket Asm. S-Bar Chass            |
| 4       | 532 16 91-67 | Bracket Bar Sway Deck               |
| 5       | 532 12 46-70 | Retainer Spring                     |
| 6       | 532 16 55-57 | Bar Sway                            |
| 8       | 532 18 17-12 | Bolt 3/8-24 x 1.25 Gr. 8 Ptch Lhthd |
| 9       | 810 03 06-00 | Washer Lock Hvy 3/8 Unplated        |
| 11      | 532 18 05-83 | Blade 3-1 Lh                        |
| 13      | 532 13 76-45 | Shaft Asm. W/Lower Bearing          |
| 14      | 532 12 87-74 | Housing Mandrel Vented (Machd)      |
| 15      | 532 11 04-85 | Bearing Ball Mandrel                |
| 16      | 532 18 05-84 | Blade 3-1 Rh                        |
| 18      | 872 11 06-06 | Bolt Rdhd Sht Sqnk 3/8-16 x 3/4     |
| 19      | 532 13 28-27 | Bolt Shoulder 5/16-18 Thd Form      |
| 20      | 532 18 17-13 | Bolt 3/8-24 x 1.25 Gr. 8 Patched    |
| 21      | 873 68 05-00 | Nut Crown Lock 5/16-18              |
| 22      | 532 16 91-65 | Bracket Idler RR                    |
| 23      | 532 16 91-66 | Bracket Idler RF                    |
| 24      | 532 16 91-70 | Bracket Suspension LF               |
| 25      | 532 16 91-71 | Bracket Suspension RF               |
| 26      | 532 16 52-37 | Brace Support Susp Frt CRD          |
| 27      | 532 16 91-72 | Bracket Asm. Susp RR                |
| 28      | 532 16 91-68 | Bracket Asm. Susp LR                |
| 30      | 532 17 39-84 | Screw Thd Rolling                   |
| 31      | 532 18 76-90 | Washer Spacer                       |
| 32      | 532 17 57-07 | Mandrel Pulleys                     |
| 33      | 532 17 83-42 | Nut Flg Top Lock                    |
| 34      | 532 17 95-09 | Bracket Gauge Wheel Lf              |
| 35      | 532 17 62-92 | Bracket Gauge Wheel Rf              |
| 36      | 532 14 67-63 | Pulley Idler V-Groove Dim 4.25      |
| 38      | 532 16 98-51 | Spacer Hub Arm Idler 107 CRD        |
| 39      | 872 11 06-22 | Bolt Rdhd 3/8-16 unc x 2-3/4 Gr. 5  |

| KEY NO. | PART NO.            | DESCRIPTION  |
|---------|---------------------|--|
| 40      | 873 68 06-00        | Nut Crownlock 3/8-16 unc   |
| 41      | <b>873 90 06-00</b> | Nut Flangelock 3/8-16 unc  |
| 44      | 532 17 55-38        | Cover Mandrel Lh   |
| 45      | 532 17 55-39        | Cover Mandrel Rh   |
| 46      | 532 13 77-29        | Screw Thd Roll 1/4-20 x 5/8  |
| 55      | 532 16 98-49        | Arm Idler 107 CRD  |
| 61      | 532 17 51-59        | Spring Tension Belt  |
| 67      | 532 10 69-32        | Knob   |
| 68      | 532 16 91-78        | Hex-Belt Mower   |
| 69      | 532 16 54-82        | Shaft Asm W/Lwr Brg Rh Thd CRD   |
| 84      | 532 15 60-85        | Keeper Belt Idler  |
| 116     | 532 18 42-19        | Bolt Shoulder  |
| 117     | 532 13 39-57        | Wheel Gage Donut Wide  |
| 118     | 873 93 06-00        | Nut Centerlock 3/8-16 unc  |
| 119     | 819 12 14-14        | Washer 3/8 x 7/8 x 14 Ga.  |
| 124     | 872 11 06-12        | Bolt Carr Sh 3/8-16 x 1-1/2 Gr. 5  |
| 130     | 872 11 05-06        | Bolt Rdhdsqnk 5/16-18 unc x 3/4  |
| 131     | 532 16 56-61        | Chute Bagger CRD 92cm  |
| 152     | 532 17 60-74        | Cable Clutch   |
| 158     | 817 72 04-08        | Screw 1/4-20 x 1/2   |
| 161     | 532 18 04-24        | Blade Cross LH   |
| 162     | 532 18 08-78        | Adapter Weldment Blade   |
| 163     | 532 18 04-25        | Blade Cross RH   |
| 164     | 532 00 33-66        | Bearing Col. Strg.   |
| 185     | 532 18 82-34        | Head Asm Cable Clutch  |
| --      | 532 18 18-57        | Mandrel Asm Service  |
| --      | 532 18 18-58        | Mandrel Asm CRD Lh Threads SVC   |
| --      | 532 18 17-70        | Deck Mower Complete<br>(Order separately gauge wheel<br>components key nos. 116-119) |

**NOTE:** All component dimensions given in U.S. inches  
1 inch = 25.4 mm

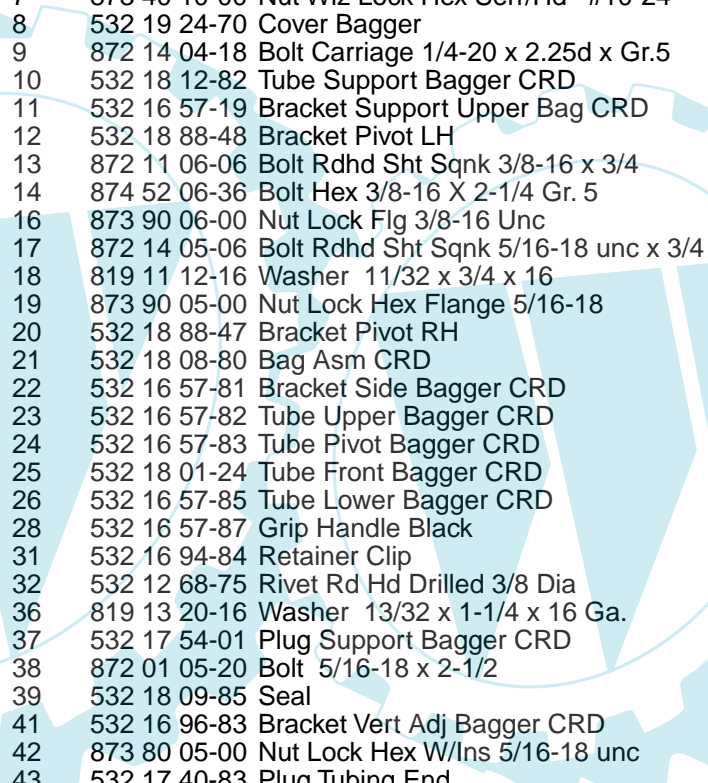
# REPAIR PARTS

TRACTOR-MODEL NO. BM155H107RB (BM155H107RBA), PRODUCT NUMBER 964 77 44-01  
BAGGER



## REPAIR PARTS

TRACTOR-MODEL NO. BM155H107RB (BM155H107RBA), PRODUCT NUMBER 964 77 44-01  
BAGGER



| KEY NO. | PART NO.      | DESCRIPTION                          |
|---------|---------------|--------------------------------------|
| 1       | 532 16 52-49  | Tube Handle Bagger CRD               |
| 2       | 872 14 04 -16 | Bolt Carriage 1/4-20 x 2.0 Gr.5      |
| 3       | 532 12 39-76  | Nut Lock 1/4 Lge Flg Gr. 5 Zinc      |
| 4       | 532 16 99-16  | Handle Bagger w/Lvrs Gr. 5 Zinc      |
| 5       | 874 98 10-24  | Screw Pan Head #10-24 x 1.50 Blk     |
| 6       | 874 98 10-32  | Screw Pan Hd                         |
| 7       | 873 40 10-00  | Nut Wiz Lock Hex Serr/Hd #10-24      |
| 8       | 532 19 24-70  | Cover Bagger                         |
| 9       | 872 14 04-18  | Bolt Carriage 1/4-20 x 2.25d x Gr.5  |
| 10      | 532 18 12-82  | Tube Support Bagger CRD              |
| 11      | 532 16 57-19  | Bracket Support Upper Bag CRD        |
| 12      | 532 18 88-48  | Bracket Pivot LH                     |
| 13      | 872 11 06-06  | Bolt Rdhd Sht Sqnk 3/8-16 x 3/4      |
| 14      | 874 52 06-36  | Bolt Hex 3/8-16 X 2-1/4 Gr. 5        |
| 16      | 873 90 06-00  | Nut Lock Flg 3/8-16 Unc              |
| 17      | 872 14 05-06  | Bolt Rdhd Sht Sqnk 5/16-18 unc x 3/4 |
| 18      | 819 11 12-16  | Washer 11/32 x 3/4 x 16              |
| 19      | 873 90 05-00  | Nut Lock Hex Flange 5/16-18          |
| 20      | 532 18 88-47  | Bracket Pivot RH                     |
| 21      | 532 18 08-80  | Bag Asm CRD                          |
| 22      | 532 16 57-81  | Bracket Side Bagger CRD              |
| 23      | 532 16 57-82  | Tube Upper Bagger CRD                |
| 24      | 532 16 57-83  | Tube Pivot Bagger CRD                |
| 25      | 532 18 01-24  | Tube Front Bagger CRD                |
| 26      | 532 16 57-85  | Tube Lower Bagger CRD                |
| 28      | 532 16 57-87  | Grip Handle Black                    |
| 31      | 532 16 94-84  | Retainer Clip                        |
| 32      | 532 12 68-75  | Rivet Rd Hd Drilled 3/8 Dia          |
| 36      | 819 13 20-16  | Washer 13/32 x 1-1/4 x 16 Ga.        |
| 37      | 532 17 54-01  | Plug Support Bagger CRD              |
| 38      | 872 01 05-20  | Bolt 5/16-18 x 2-1/2                 |
| 39      | 532 18 09-85  | Seal                                 |
| 41      | 532 16 96-83  | Bracket Vert Adj Bagger CRD          |
| 42      | 873 80 05-00  | Nut Lock Hex W/Ins 5/16-18 unc       |
| 43      | 532 17 40-83  | Plug Tubing End                      |

**NOTE:** All component dimensions given in U.S. inches  
1 inch = 25.4 mm



***BESTGREEN***

Ihr Ersatzteilspezialist im Internet